


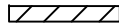
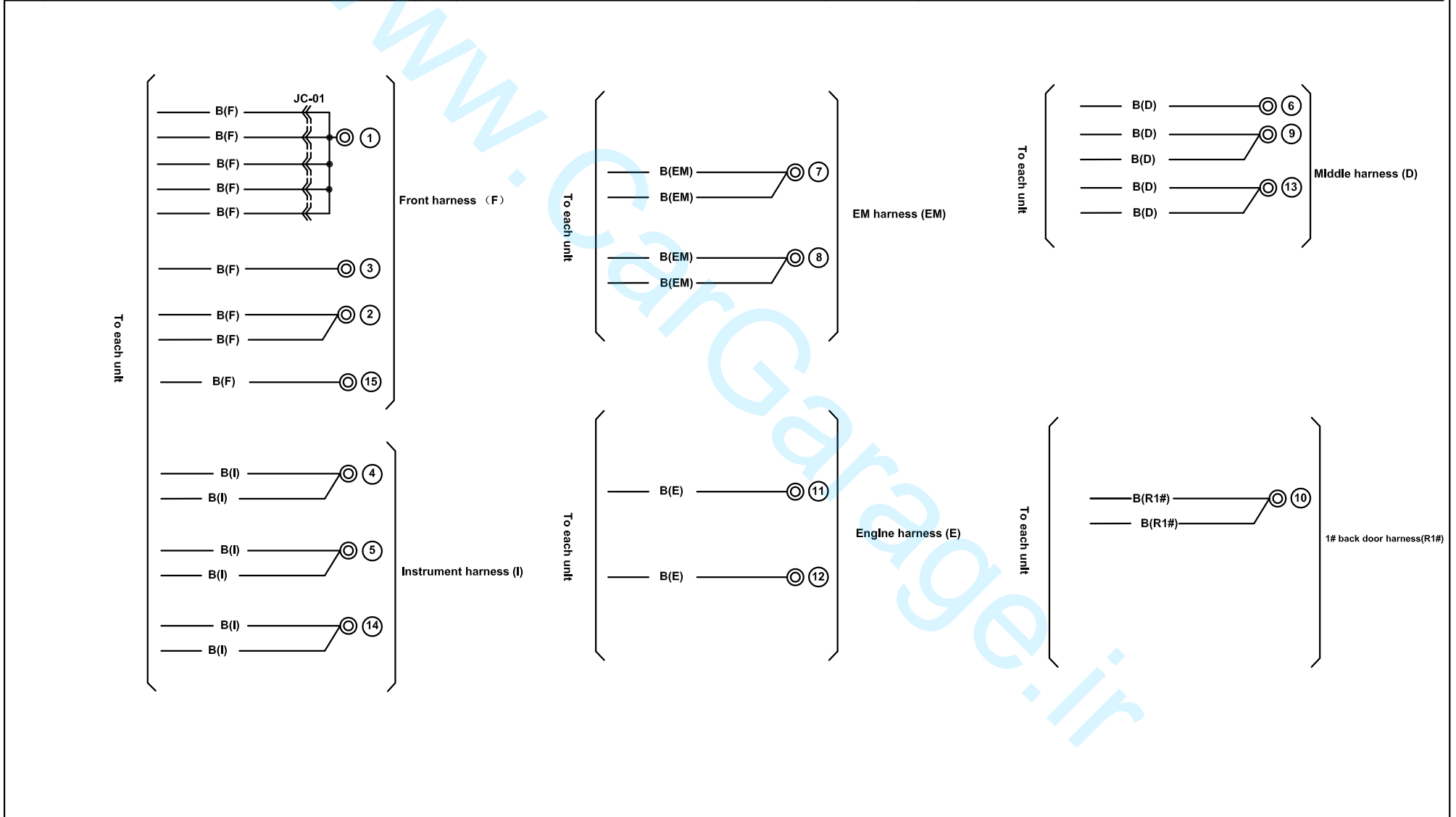
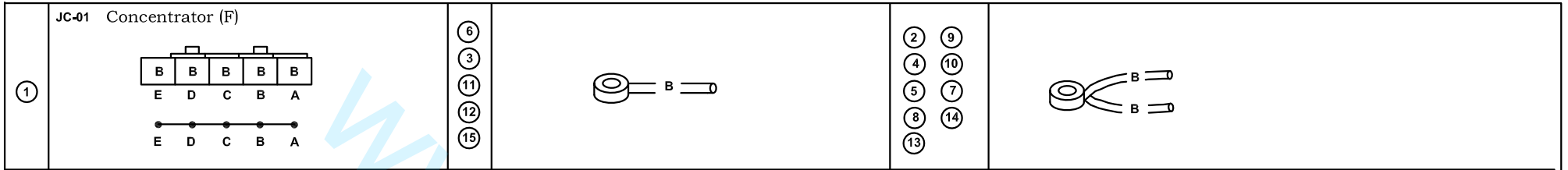


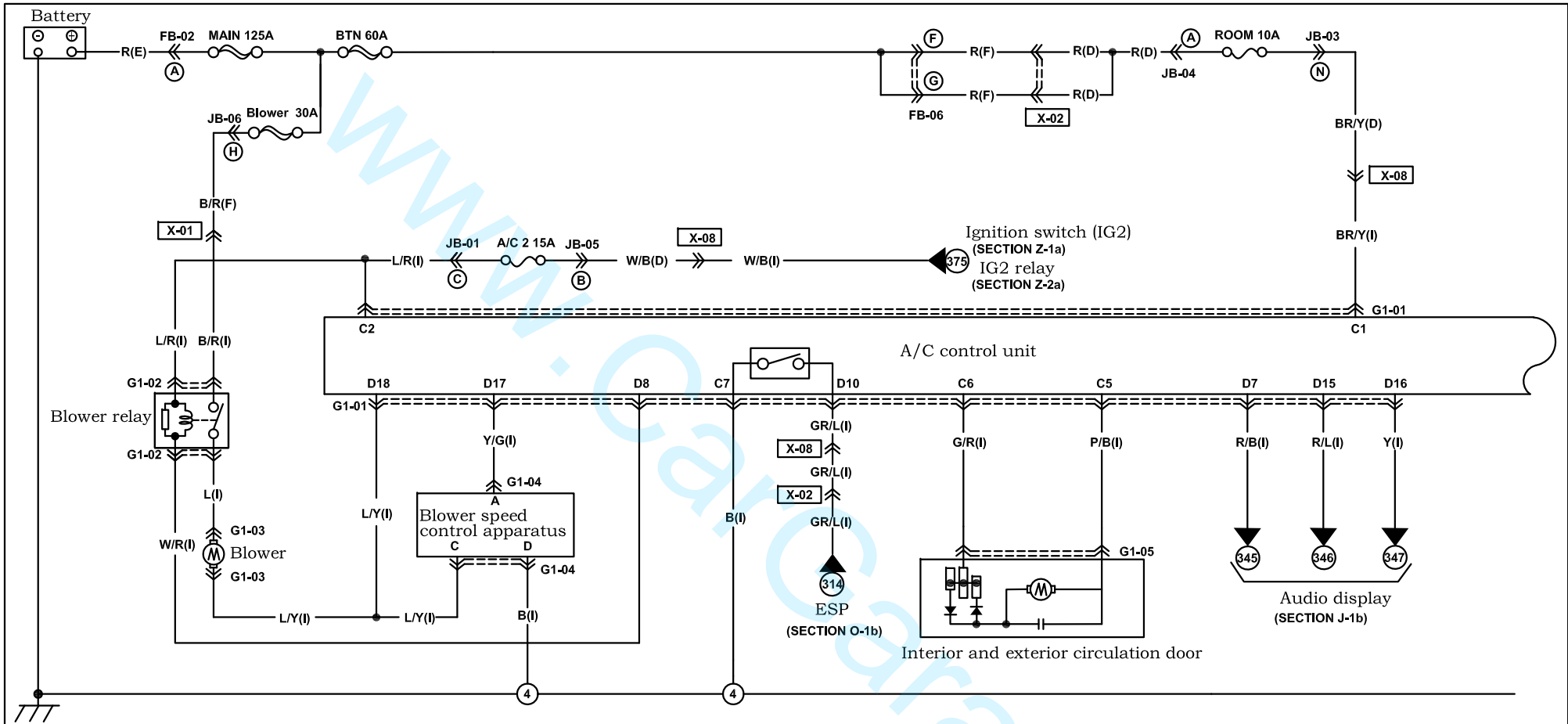
کد رنگ سیم ها

Color	Code	Color	Code
Black	B	Light Green	LG
Brown	BR	Orange	O
Dark blue	DL	Pink	P
Dark Green	DG	Red	R
Gray	GR	Sky Blue	SB
Green	G	Violet	V
Light blue	LB	White	W
Blue	L	Yellow	Y

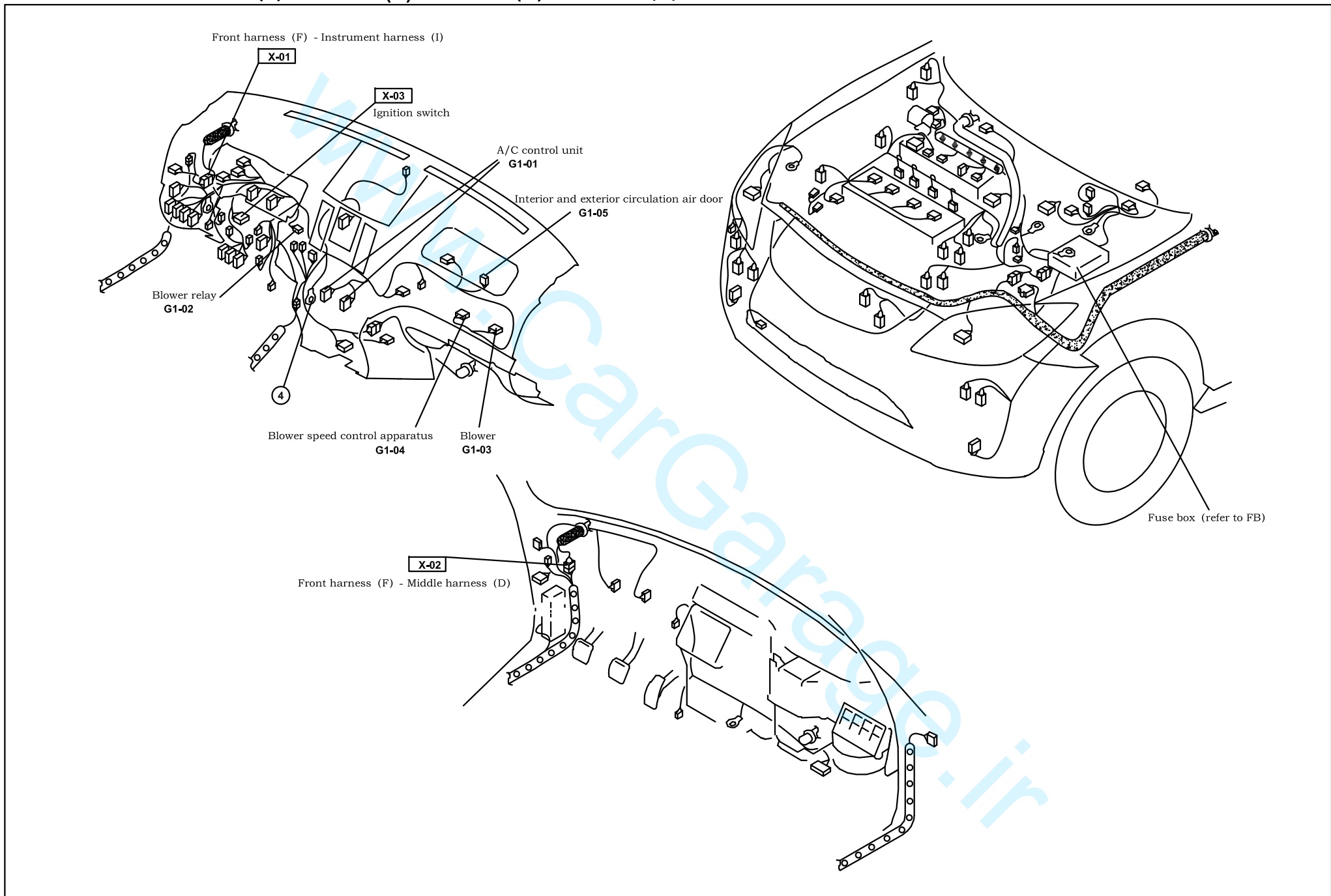
نماد

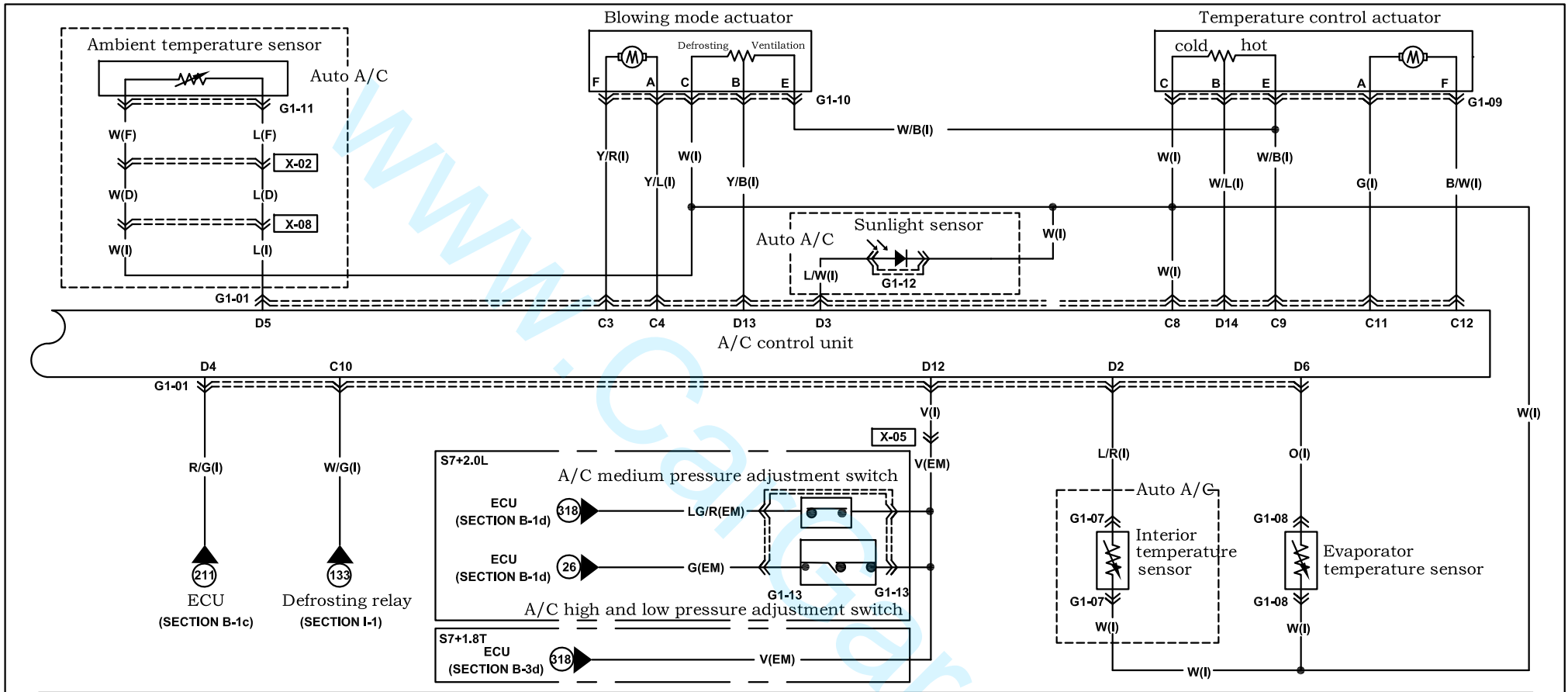
Name	Symbol	Name	Symbol
Front harness	F 	Grounding harness	EA
Engjne harness	E 	Interior harness	IN
EM harness	EM	Reversing radar harness	RA
Middle harness	D 	2# Back door harness	R2#
Rear harness	R 	1# Back door harness	R1#
Front left door harness	DR1		
Front right door harness	DR2		
Rear left door harness	DR3		
Rear right door harness	DR4		
Instrument harness	I		









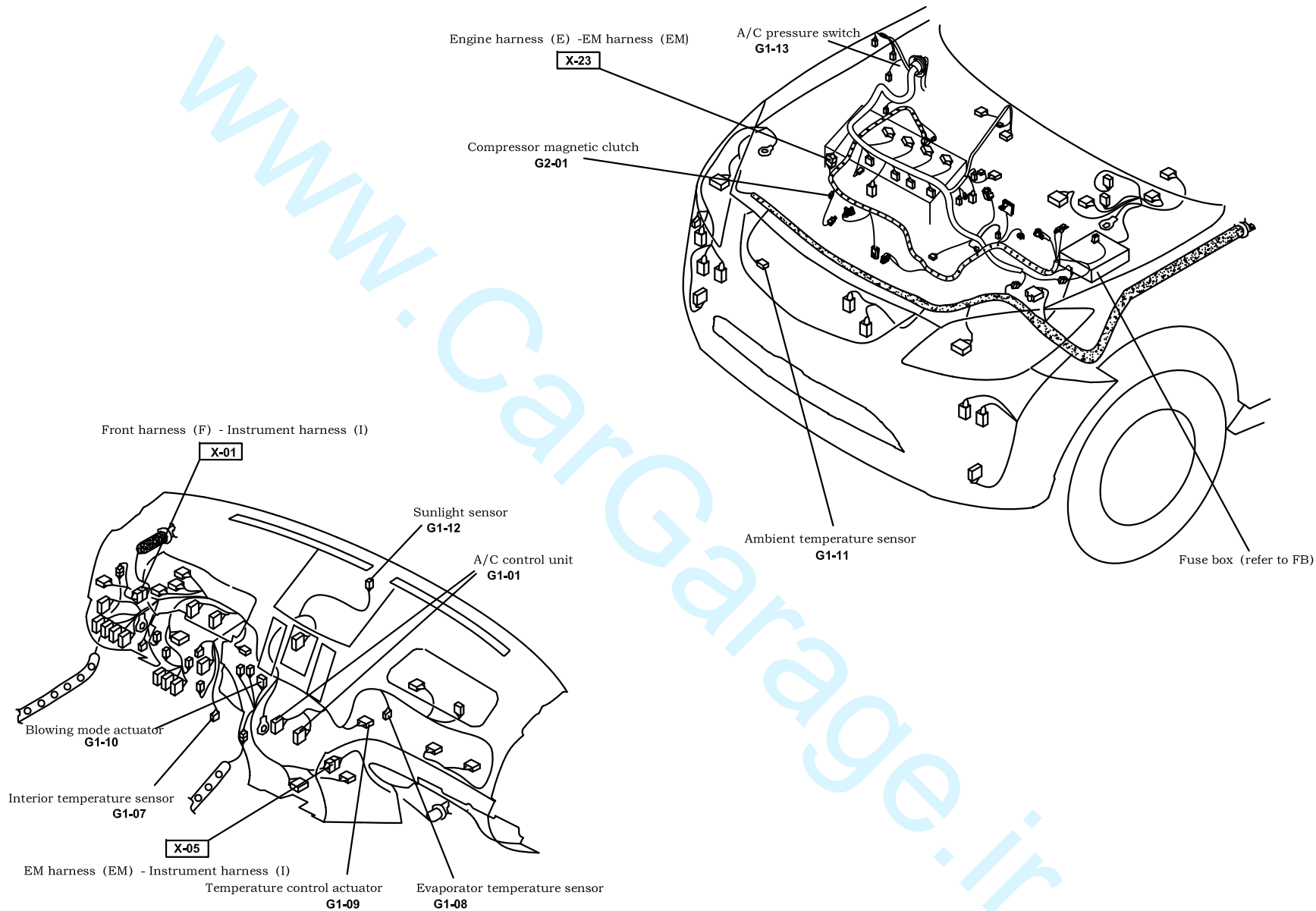
<p>G1-01 A/C control unit (I) () with ESP</p> <table border="1" style="width: 100%; text-align: center;"> <tr> <td colspan="2">C1</td> <td colspan="6"></td> <td colspan="2">C6</td> </tr> <tr> <td>BR/Y</td> <td>L/R</td> <td>Y/R</td> <td>Y/L</td> <td>P/B</td> <td>G/R</td> <td colspan="2"></td> <td></td> </tr> <tr> <td>B</td> <td>W</td> <td>W/B</td> <td>W/G</td> <td>G</td> <td>B/W</td> <td colspan="2"></td> <td></td> </tr> <tr> <td colspan="2">C7</td> <td colspan="6"></td> <td colspan="2">C12</td> </tr> </table> <table border="1" style="width: 100%; text-align: center;"> <tr> <td colspan="2">D1</td> <td colspan="10"></td> <td colspan="2">D10</td> </tr> <tr> <td>LG</td> <td>L/R</td> <td>L/W</td> <td>R/G</td> <td>L</td> <td>O</td> <td>R/B</td> <td>W/R</td> <td>*</td> <td>GR/L</td> <td colspan="2"></td> <td></td> </tr> <tr> <td>LG/B</td> <td>V</td> <td>Y/B</td> <td>W/L</td> <td>R/L</td> <td>Y</td> <td>Y/G</td> <td>L/Y</td> <td>*</td> <td>*</td> <td colspan="2"></td> <td></td> </tr> <tr> <td colspan="2">D11</td> <td colspan="10"></td> <td colspan="2">D20</td> </tr> </table>	C1								C6		BR/Y	L/R	Y/R	Y/L	P/B	G/R				B	W	W/B	W/G	G	B/W				C7								C12		D1												D10		LG	L/R	L/W	R/G	L	O	R/B	W/R	*	GR/L				LG/B	V	Y/B	W/L	R/L	Y	Y/G	L/Y	*	*				D11												D20		<p>G1-02 Blower relay (I)</p>	<p>G1-03 Blower (I)</p>	<p>G1-04 Blower speed control apparatus(I)</p>	<p>G1-05 Interior and exterior circulation door (I)</p>
C1								C6																																																																																								
BR/Y	L/R	Y/R	Y/L	P/B	G/R																																																																																											
B	W	W/B	W/G	G	B/W																																																																																											
C7								C12																																																																																								
D1												D10																																																																																				
LG	L/R	L/W	R/G	L	O	R/B	W/R	*	GR/L																																																																																							
LG/B	V	Y/B	W/L	R/L	Y	Y/G	L/Y	*	*																																																																																							
D11												D20																																																																																				

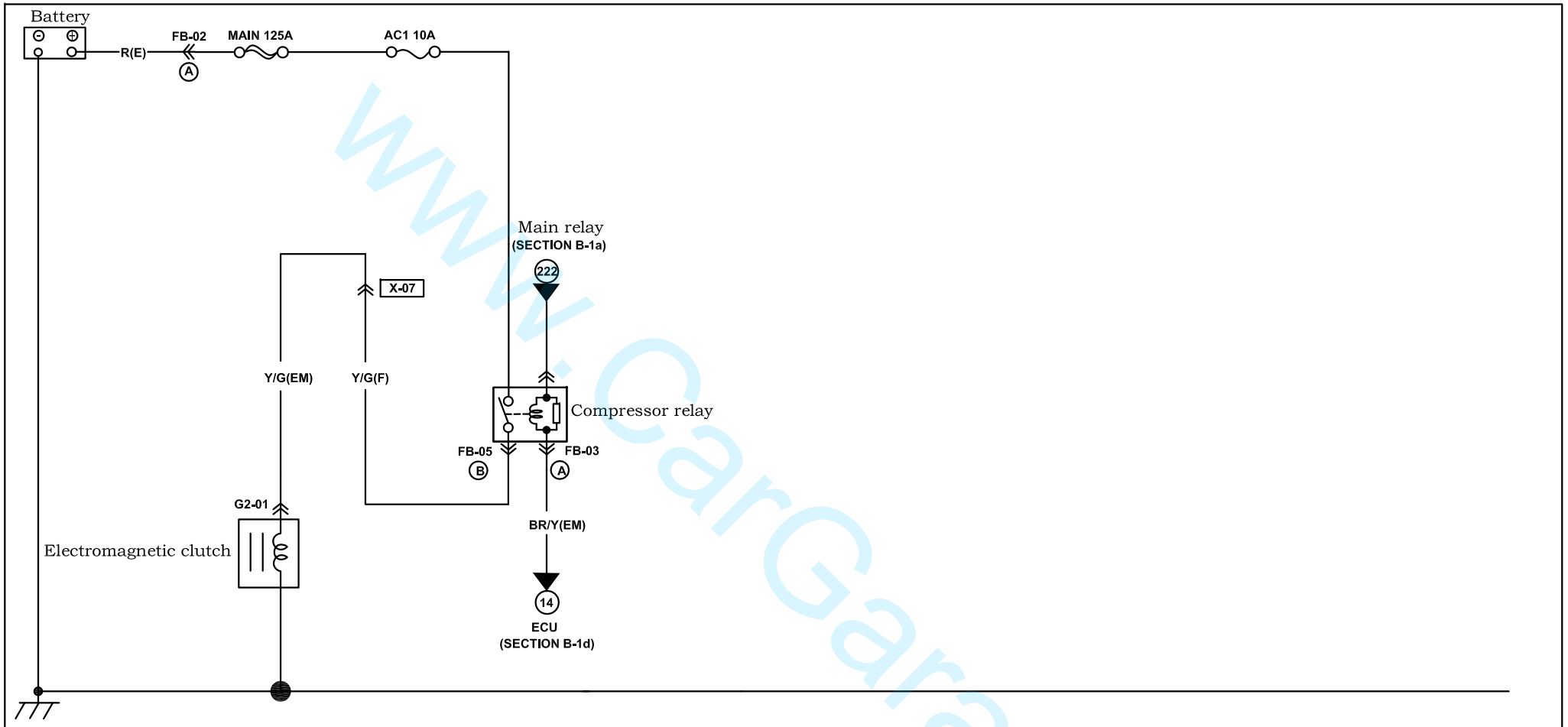




<p>G1-01 A/C control unit (I) () with ESP</p>	<p>G1-07 Interior temperature sensor (I)</p>	<p>G1-08 Evaporator temperature sensor (I)</p>	<p>G1-09 Temperature control actuator (I)</p>	<p>G1-10 Blowing mode actuator (I)</p>
<p>G1-11 Ambient temperature sensor (F)</p>	<p>G1-12 Sunlight sensor (I)</p>	<p>G1-13 A/C pressure switch (EM)</p>		

Harness mark:  (F)  (E)  (D)  (R)





<p>G2-01 Electromagnetic clutch (EM)</p> 						

